



Office of the City Engineer
Building Department
944 James Street
Woodstock, ON
519-539-1291

REQUIREMENTS FOR BUILDING A DECK

When is a building permit required for a deck?

- If the deck is **greater than 12"** off of the ground, and
- When structural renovations are made to an existing deck.

What needs to be submitted with a building permit application?

- **A Site Plan of your property**
 - Showing the location of your deck drawn and dimensioned to your property lines.
- **Deck drawings**
 - Plan view showing locations of your posts, beams, joists, landing and stairs,
 - Note the dimensions of lumber (*see attached span tables for which size lumber you should be using*)
 - Side view to show the height of your deck and location of guards where needed

** Reference the Deck Standard Practice Sheet for assistance**

Guards/Railings:

- Guards and railings are required at any point where your deck is **greater than 23 5/8"** off of the ground.
- Based on SB-7 in the Ontario Building Code, only the installation of wood guards/railings is permitted. If you are installing anything other than wooden guards/railings, you will need to provide a copy of the Pre-Engineered guard/railing details with your application.

Where to apply for a building permit?

- You can bring your application and required site plan & deck drawings to the Engineering and Building Department located at 944 James Street, Woodstock, ON
- Office hours are from Monday to Friday, 8:30 a.m. – 4:30 p.m.

Requirements for Building a Deck

Cost of a building permit:

- View website for current fees – www.cityofwoodstock.ca

Application turn-around time:

- Once a complete application is submitted, there is a turn-around time of approximately 10 business days before your building permit is issued.

Required building inspections for a deck:

- **Excavation/Footing inspection**
 - Once you have dug your footing holes **AND BEFORE concrete has been poured.**
- **Framing Inspection**
 - Once framing is complete (post, beams, joists etc.).
- **Final Inspection**
 - When guards and railings are complete.



Woodstock
ONTARIO • CANADA

THE CITY OF WOODSTOCK

BUILDING DEPARTMENT

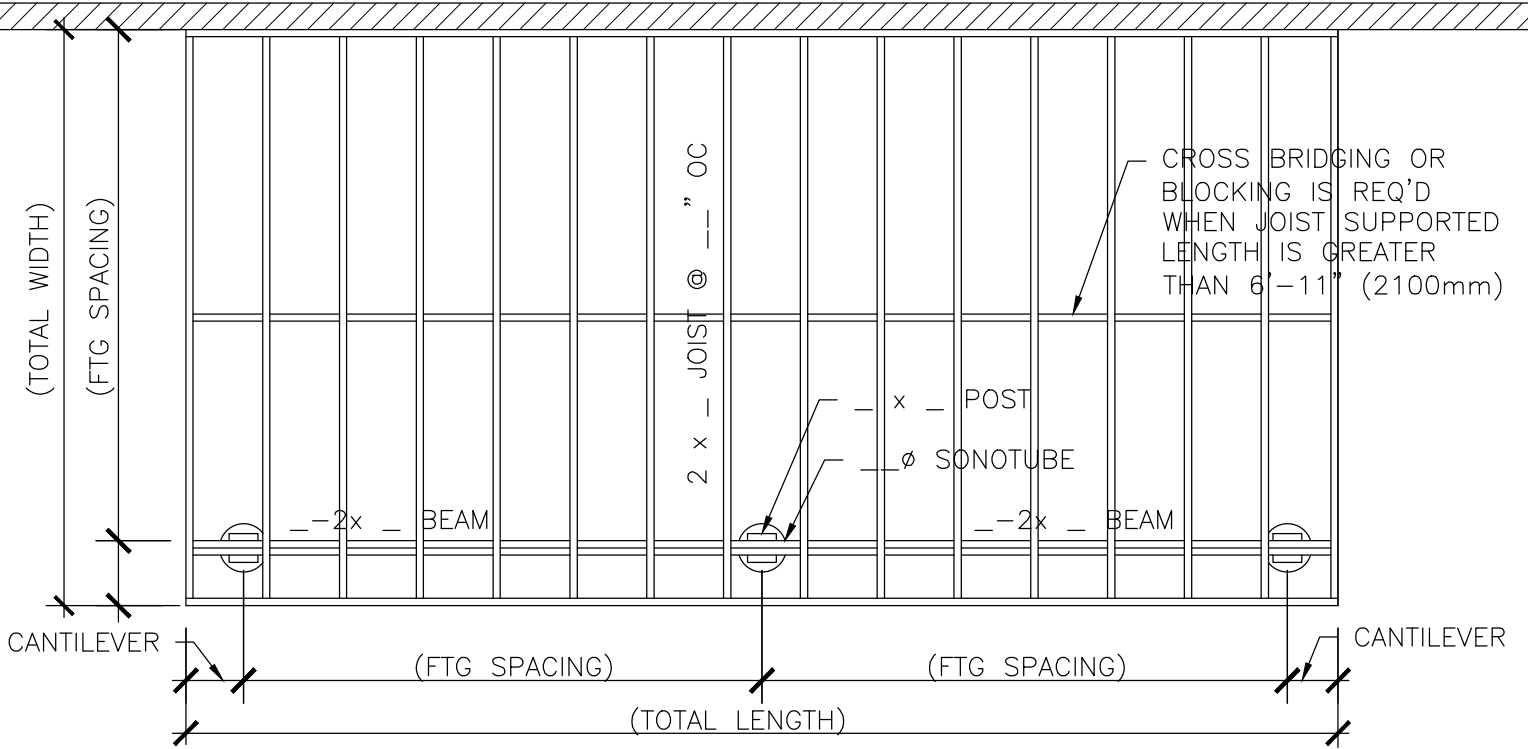
DATE ISSUED:
JAN 2013

RESIDENTIAL DECK FRAMING

SCALE:
NTS

PAGE NO.:
D 1

EXISTING HOUSE



2-PLY WOODEN BEAMS			
SUPPORTED LENGTH	2X8	2X10	2X12
4'-0"	11'-7"	14'-10"	17'-4"
6'-0"	9'-10"	12'-1"	14'-0"
8'-0"	8'-7"	10'-6"	12'-3"
10'-0"	7'-8"	9'-4"	10'-8"
3-PLY WOODEN BEAMS			
8'-0"	10'-8"	13'-0"	15'-1"
10'-0"	9'-6"	11'-8"	13'-6"

TYPE OF LUMBER

- CEDAR
- PRESSURE TREATED
- OTHER _____

MAXIMUM FLOOR JOIST SPANS		
JOIST SIZE	MAX SPAN	MAX CANTILEVER
2x8 @ 12" OC	12'-6"	1'-4"
2x8 @ 16" OC	11'-9"	1'-4"
2x8 @ 24" OC	10'-9"	1'-4"
2x10 @ 12" OC	14'-7"	2'-0"
2x10 @ 16" OC	13'-8"	2'-0"
2x10 @ 24" OC	12'-10"	2'-0"
2x12 @ 12" OC	16'-5"	2'-0"
2x12 @ 16" OC	15'-5"	2'-0"
2x12 @ 24" OC	14'-6"	2'-0"

NOTES:

- SUPPORTED JOIST LENGTH IS HALF THE SPAN OF THE JOISTS, PLUS THE CANTILEVER
- 6x6 COLUMNS MUST BE USED IF DECK IS MORE THAN 5'-11" OFF THE GROUND
- JOISTS MUST EXTEND AWAY FROM THE CANTILEVER 6 TIMES THE LENGTH OF THE CANTILEVER



Woodstock
ONTARIO • CANADA

THE CITY OF WOODSTOCK

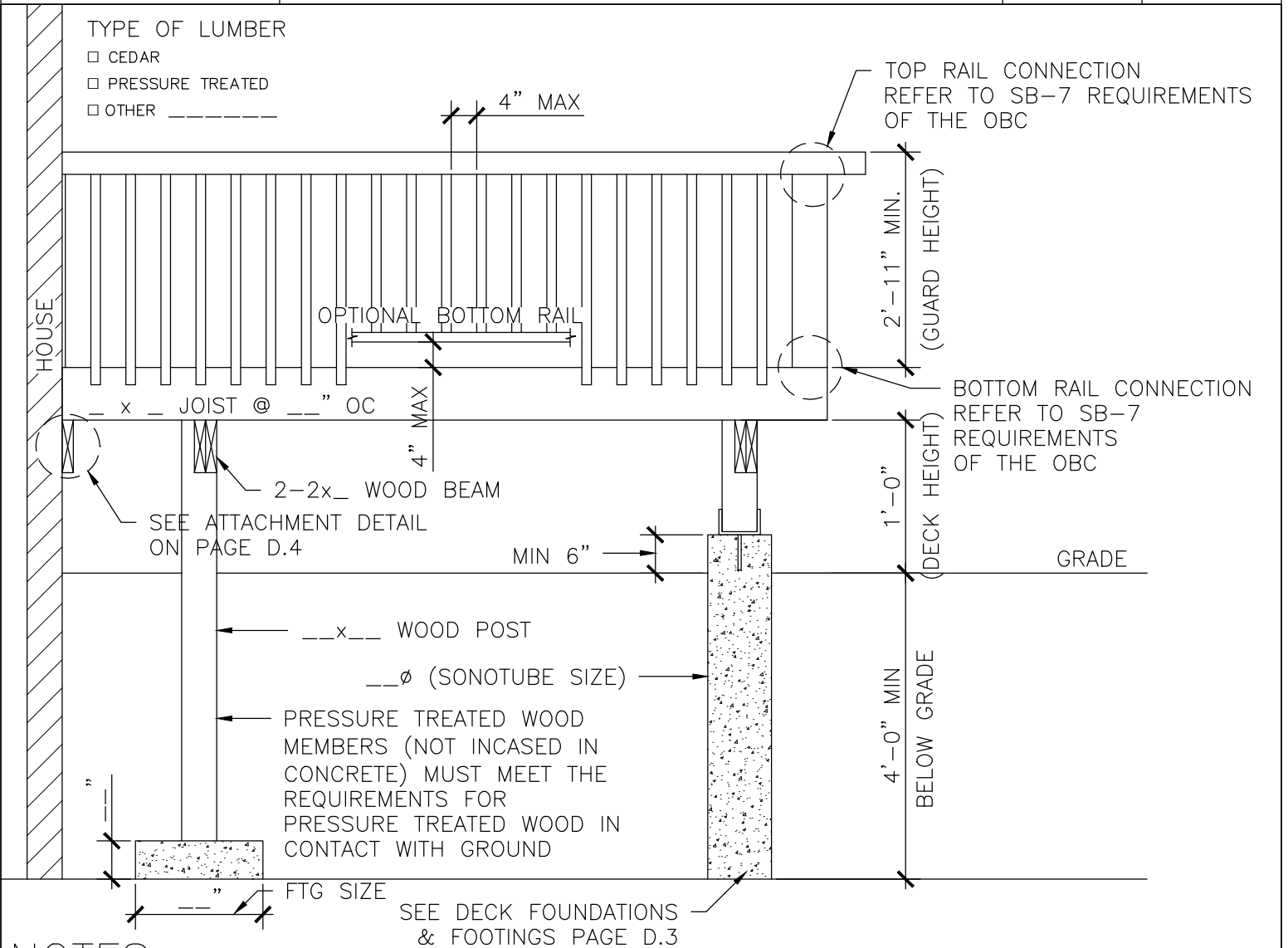
BUILDING DEPARTMENT

DATE ISSUED:
JAN 2013

RESIDENTIAL DECK FRAMING

SCALE:
NTS

PAGE NO.:
D 2



NOTES:

- 6x6 WOOD POSTS MUST BE USED IF DECK IS MORE THAN 5'-11" OFF THE GROUND

GUARD REQUIREMENTS— OBC REFERENCE 9.8.8.

- GUARD IS REQUIRED WHEN THE DIFFERENCE IN ELEVATIONS IS GREATER THAN 23-5/8" (600mm)

- THE HEIGHT OF GUARD SHALL BE MIN. 2'-11" (900mm) HIGH, UNLESS THE WALKING SURFACE SERVED BY THE GUARD IS NOT MORE THAN 5'-11" (1800mm), THEN THE GUARD SHALL BE A MIN. 3'-6" (1070mm)

- IF GLASS IS TO BE USED IN GUARDS IT MUST BE SAFETY GLASS OF THE LAMINATED OR TEMPERED TYPE AND MUST CONFORM TO CAN/CGSB-12.1M "TEMPERED OR LAMINATED SAFETY GLASS" OR, WIRED GLASS CONFORMING TO CAN/CGSB-12.11-M "WIRED SAFETY GLASS"

- NO HORIZONTAL MEMBERS BETWEEN 5-1/2" (140mm) AND 2'-11" (900mm) ABOVE THE TOP OF DECK TO FACILITATE CLIMBING



Woodstock
ONTARIO • CANADA

THE CITY OF WOODSTOCK

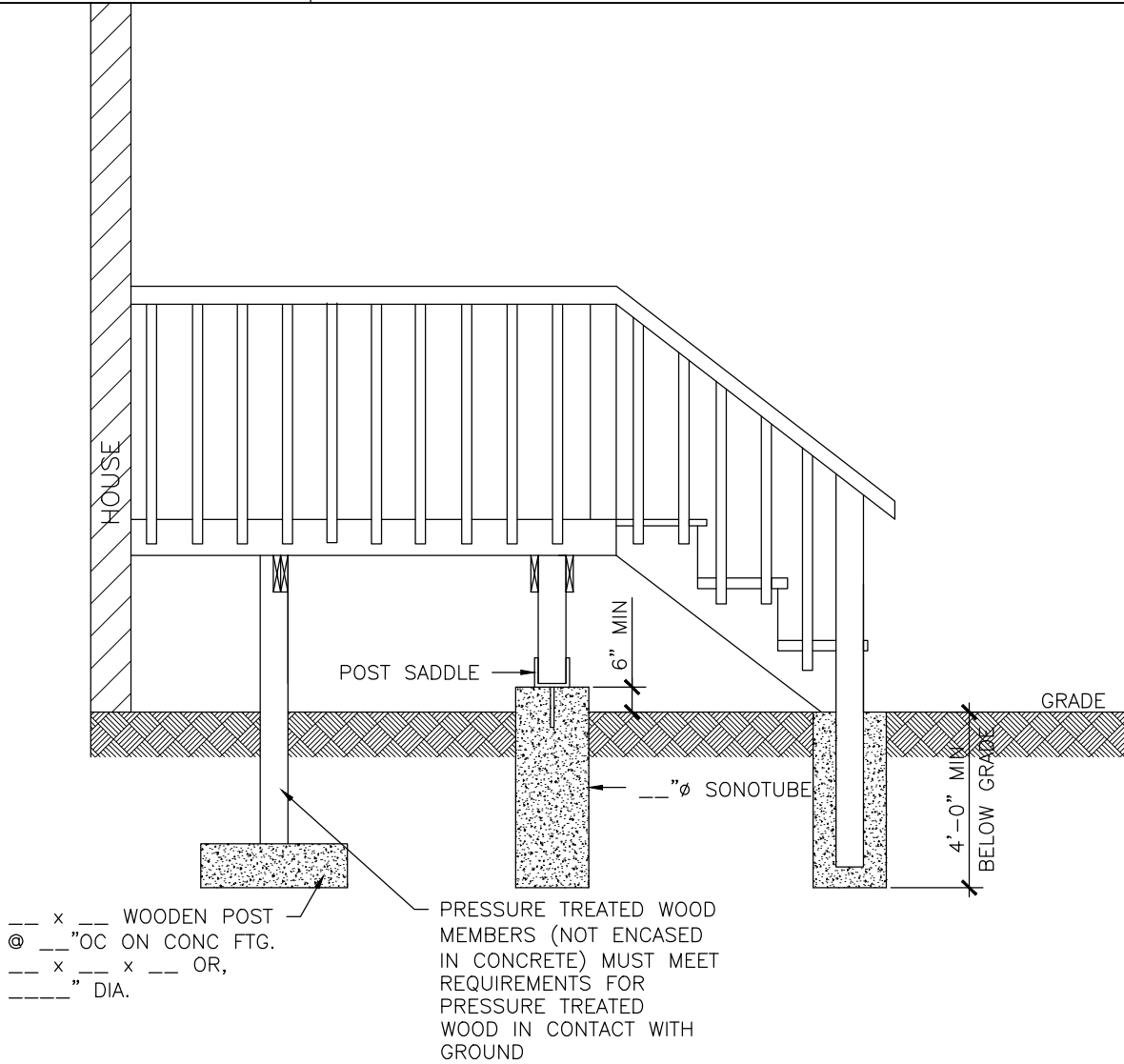
BUILDING DEPARTMENT

DATE ISSUED:
JAN 2013

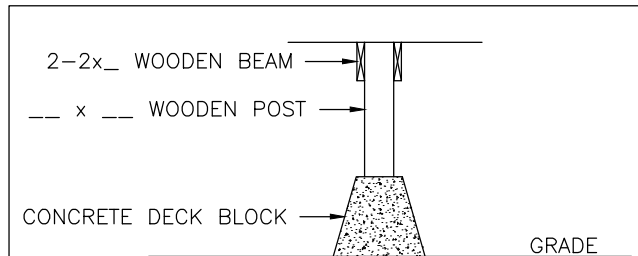
RESIDENTIAL DECK FRAMING

SCALE:
NTS

PAGE NO.:
D 3



MIN FTG SIZES		
SUPPORTED AREA SQ.M (SQ.FT)	MIN. DIA. mm (in)	MIN. THICKNESS mm (in)
2.4 (26)	200 (8")	100 (4")
3.7 (40)	250 (10")	100 (4")
5.4 (58)	300 (12")	100 (4")
7.4 (80)	350 (14")	127 (5")
9.7 (104)	400 (16")	150 (6")



NOTE:

OBC REFERENCE 9.12.2.2.(7)

- DECK BLOCKS CAN BE USED AS FOOTINGS IF:
- THE DECK IS NOT ATTACHED TO THE HOUSE
 - THE DECK IS NOT MORE THAN 55sq.m.(592sq.ft)
 - NOT MORE THAN ONE STOREY IN BUILDING HEIGHT
 - THE DECK DOES NOT SUPPORT A ROOF
 - WHERE THE DISTANCE FROM THE FINISHED GRADE TO THE UNDERSIDE OF THE JOISTS ARE NOT MORE THAN 24in (600mm)



Woodstock
ONTARIO • CANADA

THE CITY OF WOODSTOCK

BUILDING DEPARTMENT

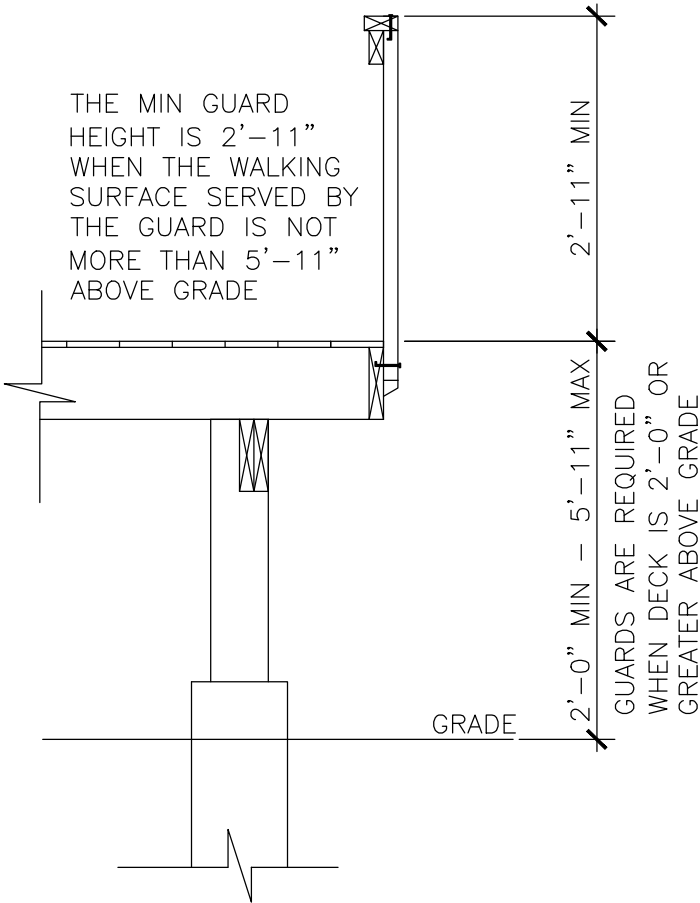
DATE ISSUED:
JAN 2013

REQUIRED GUARD HEIGHTS

SCALE:
NTS

PAGE NO.:
D 4

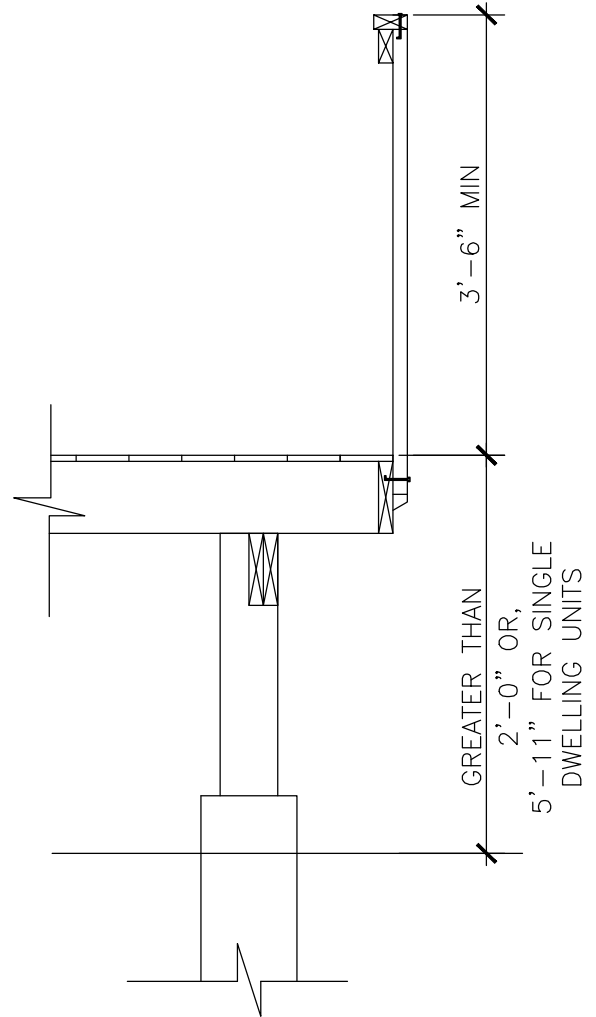
TYPE OF GUARDS SHOWN IN EXAMPLE IS A CANTILEVERED PICKET – TO SEE DETAILS ON CONNECTIONS REFER TO SB-7 (DETAILS ED)



SERVING A SINGLE DWELLING UNIT

NOTE:

NO CLIMBABLE ELEMENTS PERMITTED IN GUARDS BETWEEN 5-1/2" (140mm) & 2'-11" (900mm)



NOTE:

WHEN SERVING A SINGLE DWELLING UNIT IF THE WALKING SURFACING IS GREATER THAN 5'-11" FROM GRADE THEN THE MIN GUARD HEIGHT IS 3'-6" FROM WALKING SURFACE

WHEN SERVING ANY OTHER TYPE OCCUPANCY IF THE WALKING SURFACE IS 2'-0" FROM GRADE THEN THE MIN GUARD HEIGHT IS 3'-6" FROM WALKING SURFACE

NO CLIMBABLE ELEMENTS PERMITTED IN GUARDS BETWEEN 5-1/2" (140mm) & 2'-11" (900mm) FOR BOTH SINGLE FAMILY DEWELLINGS & PART 3 BUILDINGS



Woodstock
ONTARIO • CANADA

THE CITY OF WOODSTOCK

BUILDING DEPARTMENT

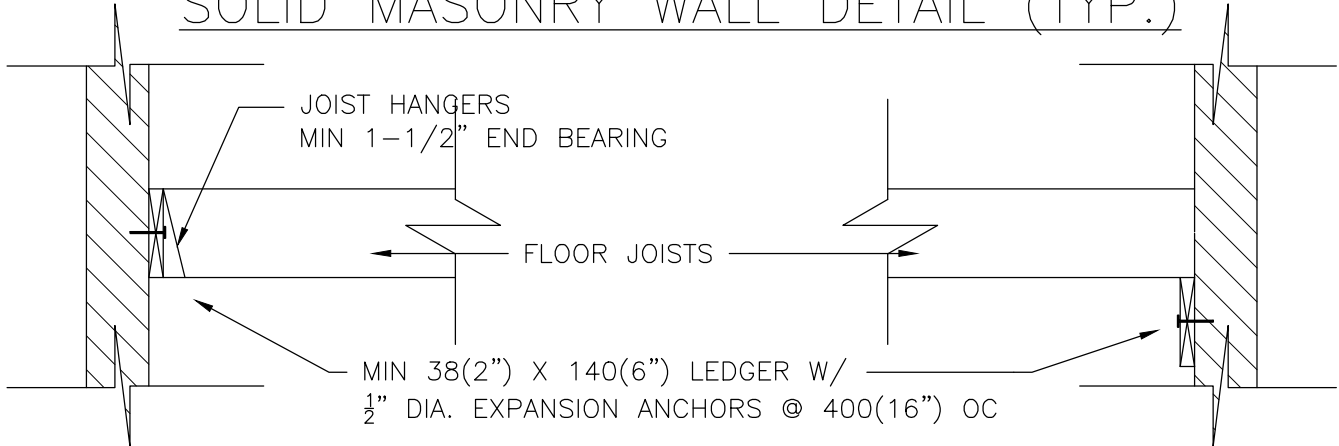
DATE ISSUED:
JAN 2013

WALL ANCHORAGE DETAILS FOR DECKS
SERVING NOT MORE THAN ONE DWELLING UNIT

SCALE:
NTS

PAGE NO.:
D 5

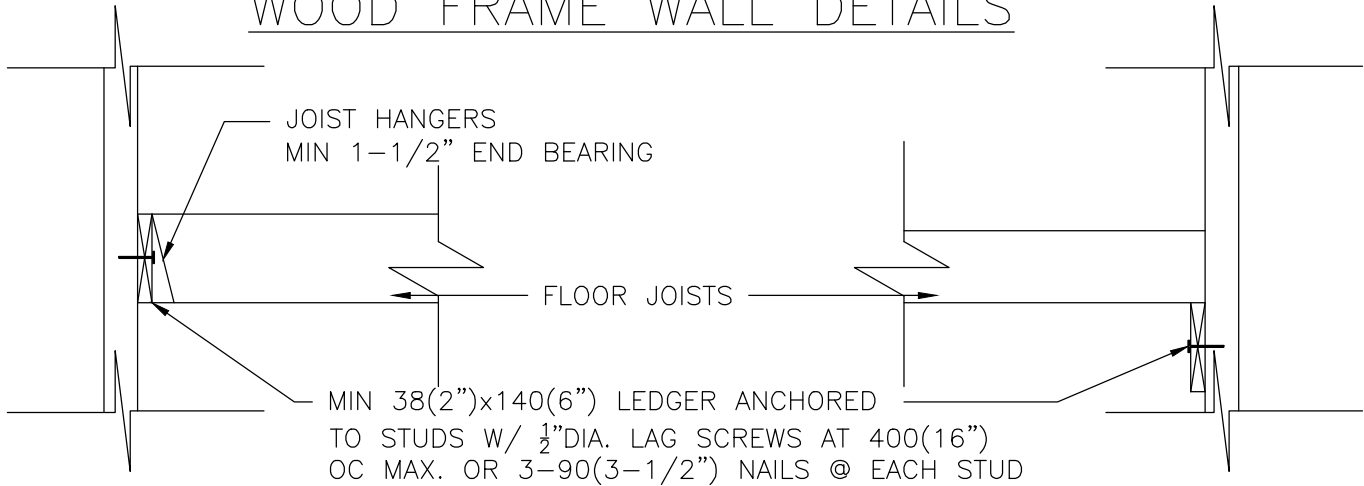
SOLID MASONRY WALL DETAIL (TYP.)



A) USING JOIST HANGERS

B) USING LEDGER BOARD

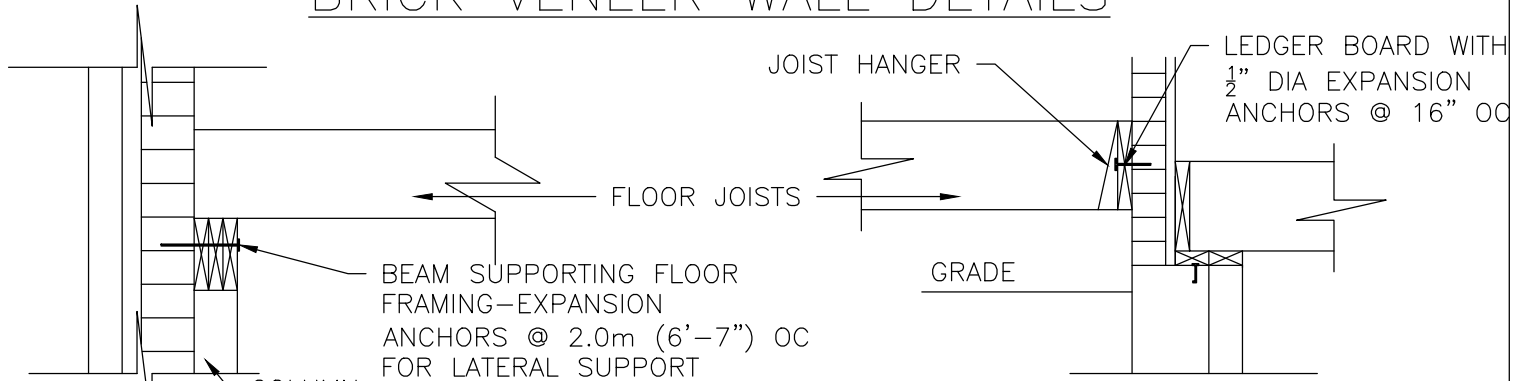
WOOD FRAME WALL DETAILS



C) USING JOIST HANGERS

D) USING LEDGER BOARD

BRICK VENEER WALL DETAILS



E) USING BEAM SUPPORT

F) USING LEDGER BOARD



THE CITY OF WOODSTOCK

BUILDING DEPARTMENT

DATE ISSUED:
JAN 2013

RESIDENTIAL EXTERIOR STAIR CLOSED STRINGER

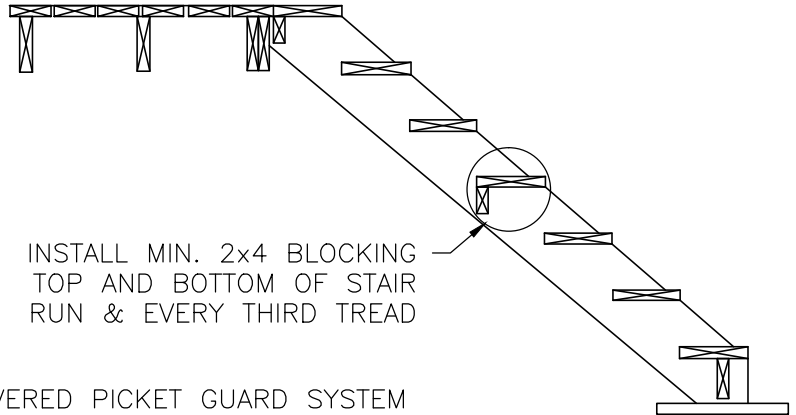
SCALE:
NTS

PAGE NO.:
D 6

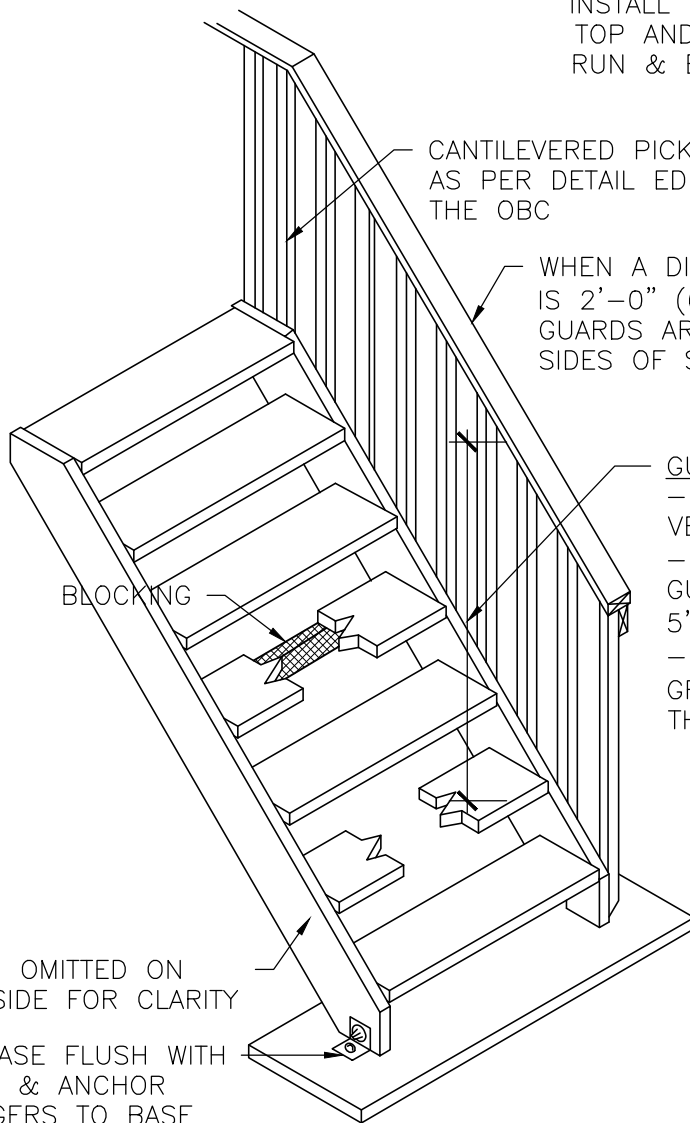
STAIR RISE & RUN REQUIREMENTS		
	MINIMUM	MAXIMUM
RISE	125 (4-7/8")	200 (7-7/8")
RUN	230 (9")	355 (14")
TREAD	250 (9-7/8")	355 (14")

- ABOVE DIMENSIONS ARE NOTED FOR PUBLIC STAIRS ONLY
- MUST MAINTAIN UNIFORM RISE & RUN THROUGHOUT ENTIRE FLIGHT OF STAIRS

TREAD THICKNESS
 - MIN 1" ACTUAL THICKNESS
 - MIN 1-1/2" ACTUAL THICKNESS WHERE SPAN BETWEEN STRINGERS EXCEEDS 2'-6"



INSTALL MIN. 2x4 BLOCKING TOP AND BOTTOM OF STAIR RUN & EVERY THIRD TREAD



CANTILEVERED PICKET GUARD SYSTEM AS PER DETAIL ED-1 OF SB-7 IN THE OBC

WHEN A DIFFERENCE OF ELEVATION IS 2'-0" (600mm) OR GREATER GUARDS ARE REQUIRED ON BOTH SIDES OF STAIRS

GUARD HEIGHT FOR STAIRS
 - GUARD HEIGHT IS MEASURE VERTICALLY FROM NOSINGS
 - MIN HEIGHT 2'-11" WHEN GUARD IS NOT MORE THAN 5'-11" OFF THE GROUND
 - MIN HEIGHT 3'-6" WHEN GREATER THAN 5'-11" OFF THE GROUND

NOTE:

- NO CLIMBABLE ELEMENTS PERMITTED IN GUARDS BETWEEN 5-1/2" (140mm) & 2'-11" (900mm) GUARDS

GUARD OMITTED ON THIS SIDE FOR CLARITY

SET BASE FLUSH WITH GRADE & ANCHOR STRINGERS TO BASE



Woodstock
ONTARIO • CANADA

THE CITY OF WOODSTOCK

BUILDING DEPARTMENT

DATE ISSUED:
JAN 2013

RESIDENTIAL EXTERIOR STAIR OPEN STRINGER

SCALE:
NTS

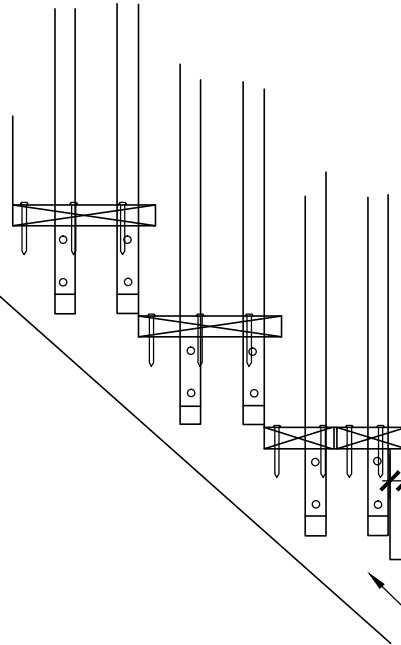
PAGE NO.:
D 7

STAIR RISE & RUN REQUIREMENTS		
	MINIMUM	MAXIMUM
RISE	125 (4-7/8")	200 (7-7/8")
RUN	230 (9")	355 (14")
TREAD	250 (9-7/8")	355 (14")

- ABOVE DIMENSIONS ARE NOTED FOR PUBLIC STAIRS ONLY
- MUST MAINTAIN UNIFORM RISE & RUN THROUGHOUT ENTIRE FLIGHT OF STAIRS

TREAD THICKNESS

- MIN 1" ACTUAL THICKNESS
- MIN 1-1/2" ACTUAL THICKNESS WHERE SPAN BETWEEN STRINGERS EXCEEDS 2'-6"

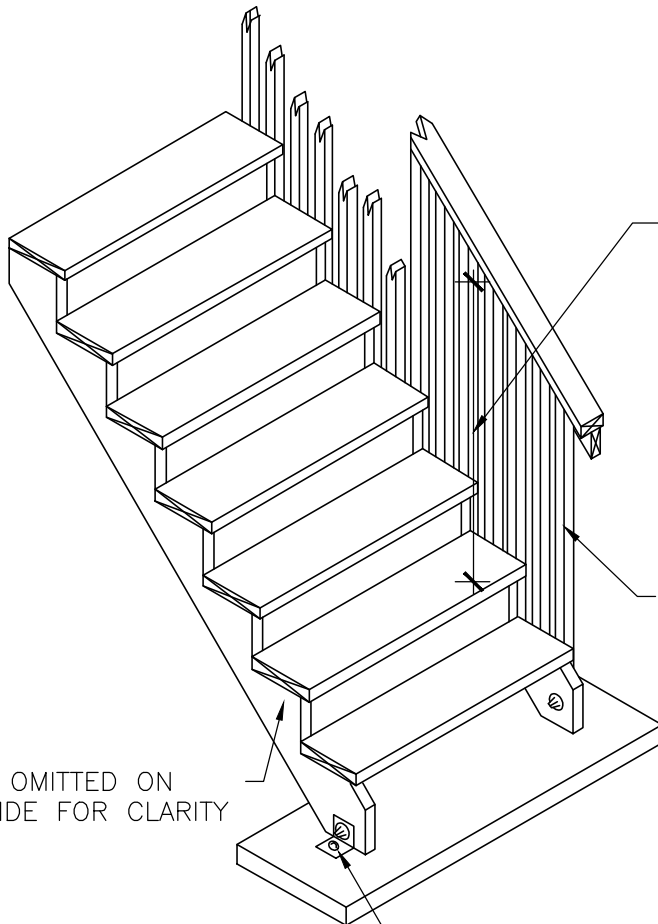


NOTE:

- FASTEN TREADS TO STRINGERS WITH 3 1/2" NAILS OR MIN 3" #8 DECK SCREWS
- USE 3 FASTENERS EACH END FOR SINGLE MEMBER TREADS
- USE 2 FASTENERS EACH END OF DOUBLE MEMBER TREAD

MAXIMUM 1"(25mm) OVERHANG

MINIMUM 2x10 STRINGER
MINIMUM 3-1/2" REMAINING AFTER NOTCHING STRINGER FOR TREADS



- GUARD HEIGHT FOR STAIRS
- GUARD HEIGHT IS MEASURED VERTICALLY FROM NOSINGS
 - MIN HEIGHT 2'-11" WHEN GUARD IS NOT MORE THAN 5'-11" OFF THE GROUND
 - MIN HEIGHT 3'-6" WHEN GREATER THAN 5'-11" OFF THE GROUND

CANTILEVERED PICKET GUARD SYSTEM AS PER DETAIL ED-1 OF SB-7 IN THE OBC

GUARD OMITTED ON THIS SIDE FOR CLARITY

SET BASE FLUSH WITH GRADE & ANCHOR STRINGERS TO BASE

NOTE:

- STRINGERS MUST BE SUPPORTED & SECURED AT TOP AND BOTTOM